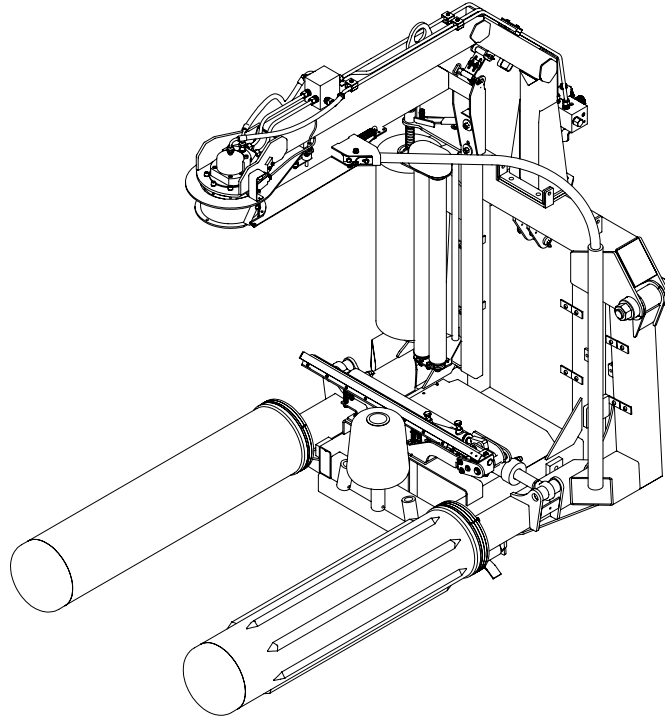




- SPARE PARTS LIST



We recommend that when you need spare parts, you should use only original parts.

When ordering spare Parts use the following:

- Drawings are marked with a position number.
- On the accompanying table you will find the position number, its equivalent part number and description. The entire part number and description must always be relayed on ordering.
- **IMPORTANT!**
When ordering always give the serial number on the wrapping machine and specify the Model of Machine.
- All orders must go through your local Tanco Dealer. To prevent confusion all orders must be faxed or e-mailed to Tanco Autowrap.



Tanco Auto wrap 1300
Spare parts list

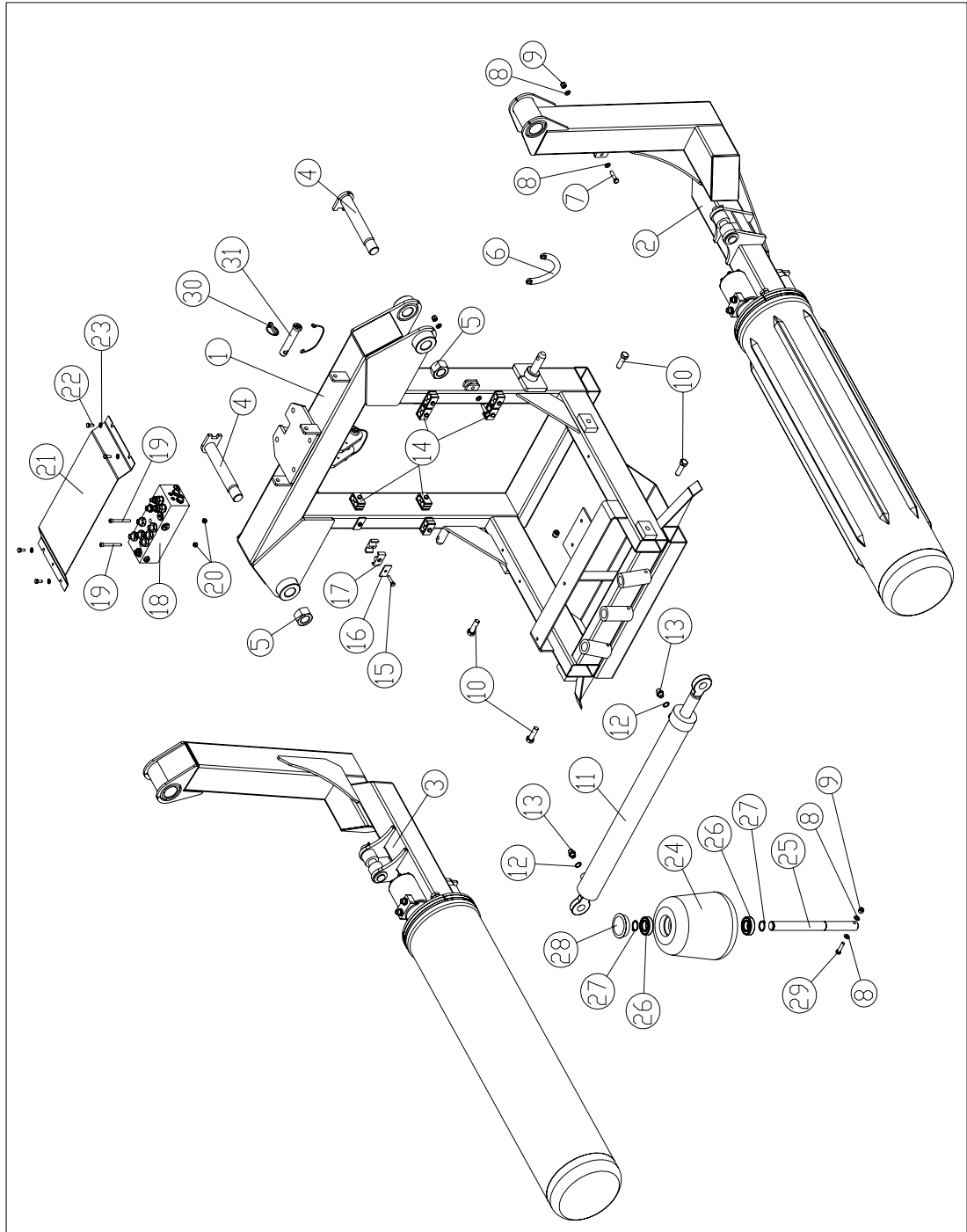


TABLE OF CONTENTS

| | <u>Page:</u> |
|--|--------------|
| 1. Chassis 1300 | |
| 1.1. Chassis 1300 | |
| 1.1.1. Exploded View Main Chassis | 3 |
| 1.1.2. Part List Chassis | 4 |
| 1.1.3. Exploded View Roller Arm Assembly | 5 |
| 1.1.4. Parts List Roller Arm | 6 |
| 2. Cut and Start | |
| 2.1. Exploded View | 7 |
| 2.2. Parts List Cut and Start | 8 |
| 3. Tower | |
| 3.1. Exploded View | 9 |
| 3.2. Tower Parts List | 10 |
| 4. Wrap Arm | |
| 4.1. Exploded View | 11 |
| 4.2. Wrap arm Parts List | 12 |
| 5. Dispenser | |
| 5.1. Dispenser Exploded View | 13 |
| 5.2. Dispenser Parts List | 14 |
| 5.3. Dispenser Roller Insert Exploded | 15 |
| 5.3. Dispenser Roller Insert Parts list | 16 |
| 6. Hydraulics | |
| 6.1. Adjustment block and 1300 S entry Block | 17 |
| 6.2. Adjustment block Parts List | 18 |
| 6.3. 1300 EH Control block exploded | 19 |
| 6.4. 1300 EH Control block Parts list | 20 |
| 6.5. Assembly block exploded | 21 |
| 6.6. Assembly block parts list | 22 |
| 6.7. Hydraulic Hoses 1300 | 23-25 |
| 7. Electrics | |
| 7.1. Junction Box 1300 | 26 |
| 7.2. 1300 EH controller | 27 |
| 7.3. 1300 S controller | 28 |
| 8. Safety Decals | |
| 8.1. Safety Decals | 29 |
| 8.2. Safety Decals parts list | 30 |
| 9. Brackets | |
| 9.1. Attachment brackets | 31 |
| 9.2. Attachment brackets parts list | 32 |
| 9.3. Attachment brackets | 33 |
| 9.4. Attachment brackets parts list | 34 |

1.1 Main Chassis

1.1.1. Exploded view main chassis





Tanco Auto wrap 1300 Spare parts list

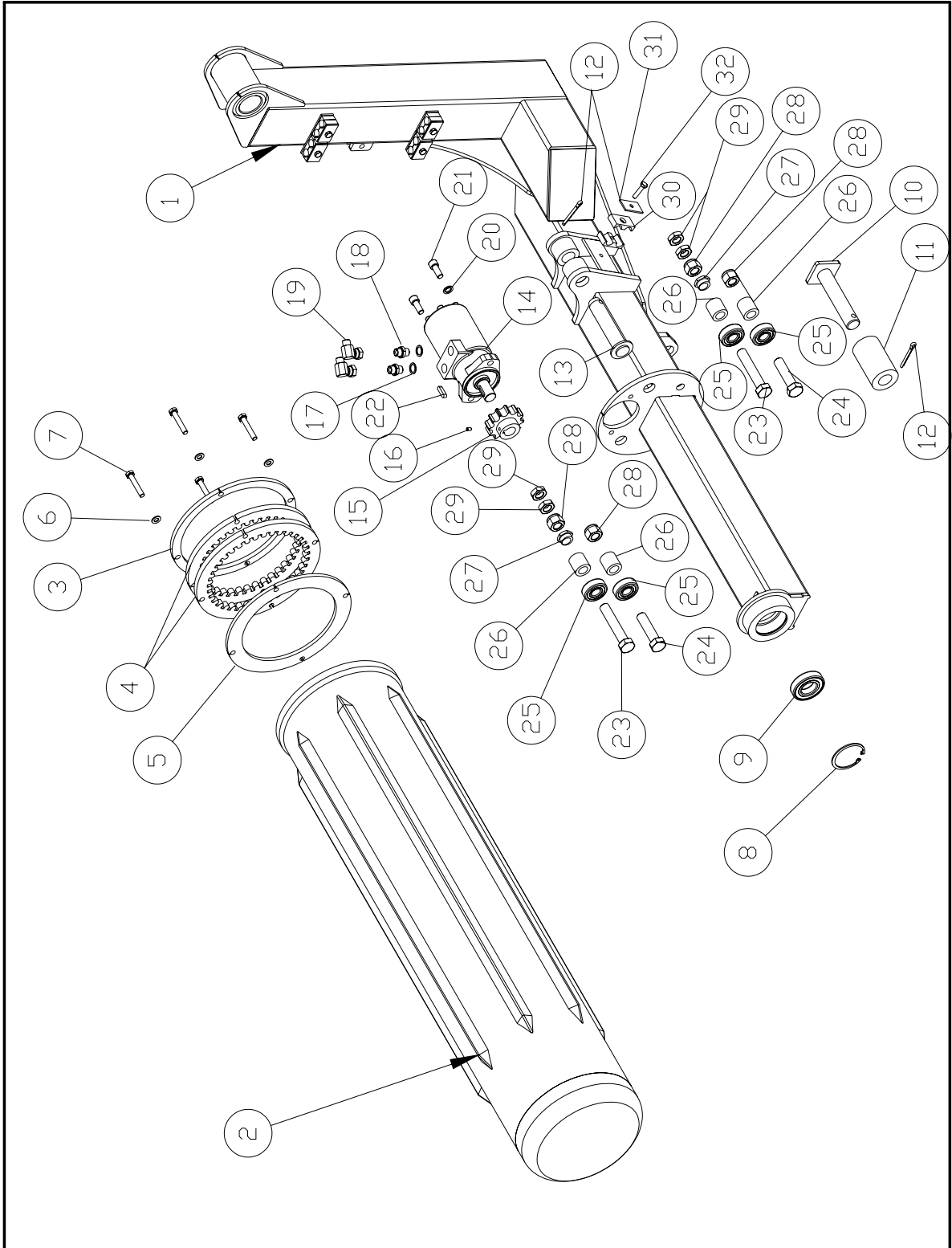
1.1.2. Part List Chassis

| ITEM | PART NO. | QTY | DESCRIPTION | Dimension |
|------------|--------------|-----|----------------------------|-----------|
| 1 | 1301000 | 1 | CHASSIS | |
| 2 | see pg 6 | 1 | Roller Arm Left Hand Side | |
| 3 | see pg 6 | 1 | Roller Arm Right Hand Side | |
| 4 | 34105720 | 2 | Main Pivot Pin | |
| 5 | 34235400 | 2 | M36 Locknut | |
| 6 | 34811343 | 2 | 11 Link Chain | |
| 7 | 34110017 | 2 | M10 * 45 Bolt | |
| 8 | 34302122 | 6 | M10 flat Washer | |
| 9 | 34230900 | 3 | M10 Locknut | |
| 10 | 34111500 | 4 | M16 * 50 Set Bolt | |
| 11 | 34001485 | 1 | Squeeze Cylinder | |
| | 35042800 | | Seal Kit 70/40 DA | |
| 12 | 34041700 | 2 | 3/8" Dowty Washer | |
| 13 | 34060100 | 2 | 3/8"-3/8" M-M Fitting | |
| 14 | 34260205 | 2 | Clamps 6x25x60 | |
| 15 | Z26-042B | 8 | M8 * 35 Bolt | |
| 16 | Z01-24-28 | 8 | Steel Top Clamp | |
| 17 | Z01-24-2618 | 8 | Plastic Hose Clamps (set) | |
| 18 | 1308300 | 1 | Assembly Block Complete | |
| 19 | Z13-6-08x100 | 2 | M8 * 100 Allen headed Bolt | |
| 20 | Z23-08 | 2 | M8 Locknuts | |
| 21 | 1301100 | 1 | Valve Cover | |
| 22 | 34115100 | 4 | M8 * 12 Bolt | |
| 23 | 34302121 | 4 | M8 Spring Washer | |
| 24-29 * | 34340140 | 1 | Support Roller Complete | |
| 24 | 34340141 | 1 | Support Roller | |
| 25 | 34130258 | 1 | Support Roller Shaft | |
| 26 | 34320508 | 2 | Support Roller Bearing | 6206 2RS |
| 27 | 34240708 | 2 | Cir Clip | A 30 |
| 28 | 34450447 | 1 | Plastic Cap | |
| 29 | Z26-0671B | 1 | M10 x 65 bolt | |
| 30 | 34200201 | 1 | Lynch Pin | |
| 31 | 34105635 | 1 | Top Link Pin Complete | |

1300 S Accumulator assy.

| | | | | |
|----|--------------|---|----------------------------|--|
| 32 | Z01-01-AWDA | 1 | Accumulator (50 bar) | |
| 33 | WD67-029 | 1 | Accumulator mounting plate | |
| 34 | Z26-042B | 2 | M8 x 35 Bolt | |
| 35 | Z10-02-30 | 1 | Washer | |
| 36 | Z001-243 | 1 | M28 Nut | |
| 37 | Z10-02-08 | 2 | M8 flat washer | |
| 38 | Z23-08 | 2 | M8 Locknut | |
| 39 | Z01-06-06-06 | 1 | 3/8" x 3/8" M-M adaptor | |
| 40 | Z01-12-0022 | 1 | 3/8" M-M-F Tee | |
| 41 | Z01-03-0172 | 1 | 3/8" non-return valve | |
| 42 | Z01-04-02 | 2 | 3/8" Dowty washers | |
| 43 | Z01-06-NB06 | 1 | 3/8" Male Blank | |

1.1.3. Roller arm





Tanco Auto wrap 1300
Spare parts list

1.1.4. Part List Roller Arm

| ITEM | PART NO. | QUANTITY | DESCRIPTION | Dimension |
|------|--------------|----------|---------------------------|-----------|
| 1 | 34611480 | 1 | Roller arm Left | |
| | 34611479 | 1 | Roller Arm Right | |
| 2 | 34911049 | 1 | Roller Gripped | |
| | 34911048 | 1 | Roller- non Gripped | |
| 3 | 34360523 | 2 | Shield Ring | |
| 4 | 1302001 | 4 | Drive Ring | 12.5 mm |
| 5 | 34360523 | 2 | Middle Ring | |
| 6 | Z12-02-10 | 8 | M 10 Spring washer | |
| 7 | 34110018 | 8 | M10 x 60 Bolt | |
| 8 | 34240100 | 2 | Cir Clip | I-72 |
| 9 | 34321521 | 2 | Roller Support Bearing | |
| 10 | 34105719 | 2 | Pin for Support Roller | |
| 11 | 34730054 | 2 | Support Roller | |
| 12 | 34220400 | 2 | Split Pin | |
| 13 | 34105725 | 2 | Pin for Squeeze cylinder | |
| 14 | 1308800 | 2 | 400 cc Drive motor | |
| 14 b | 1308801 | * | Seal kit for Motor | |
| 15 | 34810042 | 2 | Drive Gear | |
| 16 | 34119081 | 2 | M8 Grub Screw | |
| 17 | Z01-04-03 | 4 | 1/2" Dowty Washers | |
| 18 | Z01-06-06-08 | 4 | 1/2"-3/8" Adaptors | |
| 19 | Z01-14-015 | 4 | 3/8"-3/8" M-F Elbows | |
| 20 | Z12-02-12 | 4 | M 12 Spring Washer | |
| 21 | 34110029 | 4 | M 12 Allen Headed bolt | M12 x 30 |
| 22 | 34270111 | 2 | 8 x 7 x 35 Key steel | |
| 23 | 34112110 | 4 | M 20 x 110 Bolt | |
| 24 | 34119182 | 4 | M20 x 80 Bolt | |
| 25 | 34321529 | 8 | Bearing | 361204 R |
| 26 | 34105718 | 8 | Spacer | 6206 2RS |
| 27 | 34351006 | 4 | Eccentric Boss | A 30 |
| 28 | 34233000 | 8 | M 20 Locknut | |
| 29 | 34232901 | 8 | M 20 Half nuts | |
| 30 | Z01-24-2618 | 10 | Plastic Hose Clamps (set) | 18 mm |
| 31 | Z01-24-28 | 10 | Steel Top Clamp | |
| 32 | Z26-042B | 10 | M8 * 35 Bolt | |



Tanco Auto wrap 1300 Spare parts list

2.1. Cut & Start



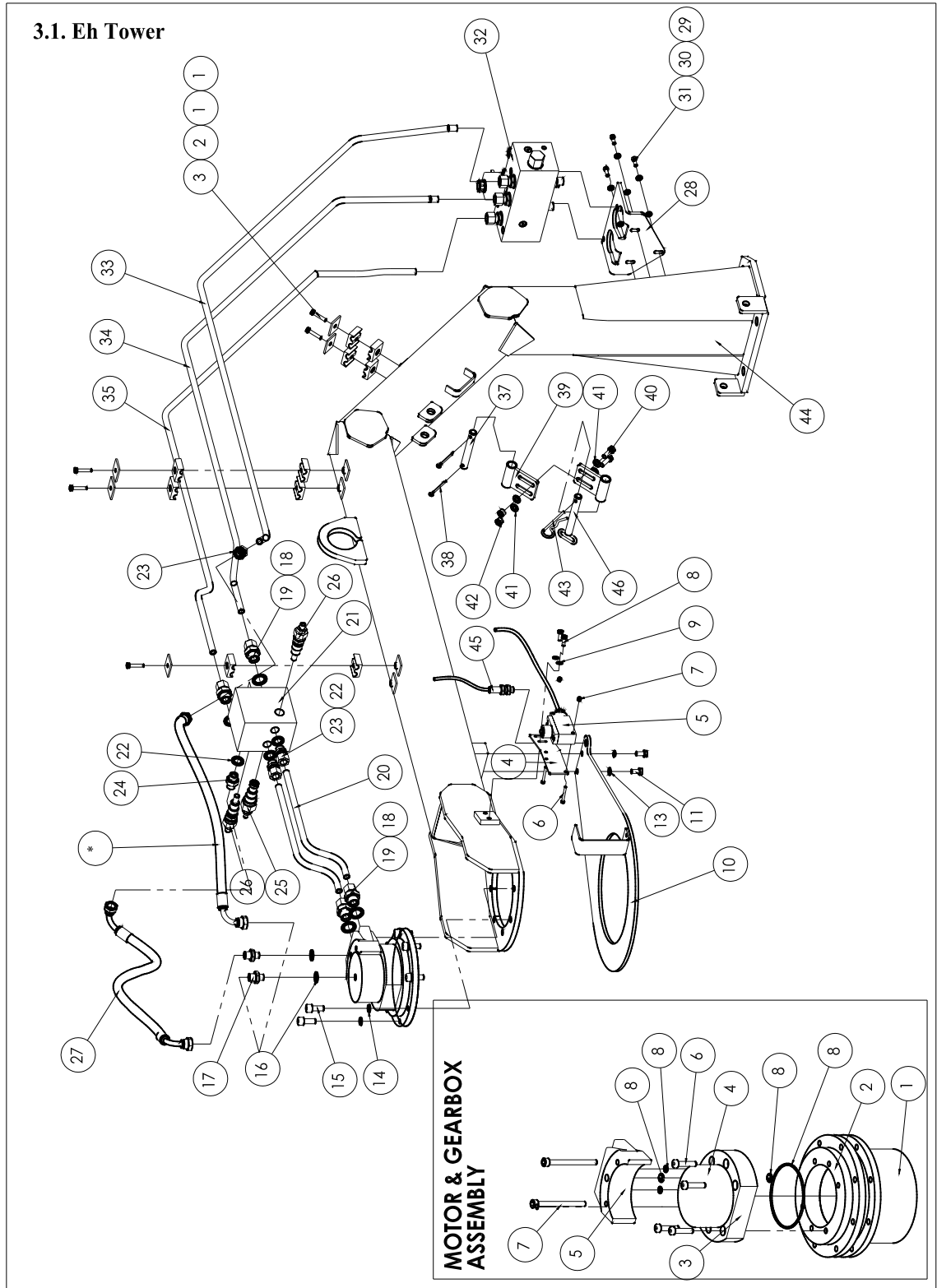


Tanco Auto wrap 1300
Spare parts list

2.2. Cut and Start Parts List

| ITEM | PART NO. | QUANTITY | DESCRIPTION | Dimension |
|------|------------|----------|-----------------------|--------------------|
| | 34920607 | | C&S complete | |
| 1 | 34670195 | 1 | C&S Base Frame | |
| 2 | 34920597 | 1 | Fastening bracket | |
| 3 | 34321518 | 1 | Brass Bearing | 20/28 x 16 -35 x 4 |
| 4 | Z11-02-081 | 4 | M 8 Mud Washer | |
| 5 | 34112700 | 7 | M8 x 30 bolt | |
| 6 | 34230500 | 8 | M8 Locknut | |
| 7 | 34302121 | 8 | M 8 Flat Washer | |
| 8 | 34110003 | 1 | M 8 Bolt | M8 x 45 |
| 9 | 34920525 | 1 | Pivot Casting Base | |
| 10 | 34240704 | 4 | Cir clip | A 25 |
| 11 | 34105631 | 1 | Bottom Pin for C&S | |
| 12 | 34105632 | 1 | Top Pin for C&S | 25 mm |
| 13 | 1308151 | 1 | C&S Cylinder | 40/20 |
| 13a | 34043800 | 1 | Seal Kit for cylinder | |
| 14 | Z39-66 | 2 | M6 Grease nipple | |
| 15 | Z01-21-06 | 2 | 3/8" Banjo Bolt | |
| 16 | Z01-04-02 | 4 | 3/8" Dowty washer | |
| 17 | 34920585 | 1 | Pressure Plate | |
| 18 | 34450428 | 1 | Rubber strip | |
| 19 | 34911039 | 1 | Knife blade | |
| 20 | 34150007 | 15 | Pop Rivet | |
| 21 | 34430301 | 4 | Spring | |
| 22 | 34480009 | 1 | Plastic sleeve | 32.2 x 1.9 |
| 23 | 34611422 | 1 | Cutter Arm | |
| 24 | 34920524 | 1 | Pivot Casting Top | |
| 25 | 34119142 | 1 | Stud Screw | M8 x 35 |

3.1. Tower: Exploded view





Tanco Auto wrap 1300 Spare parts list

3.2. Tower Parts list.

| ITEM | PART NO. | QUANTITY | DESCRIPTION | Dimension |
|-------------------------------------|--------------|----------|-------------------------------|-----------|
| 1 | 34260110 | 5 | Plastic pipe clamps (set) | 12 mm |
| 2 | 34260167 | 5 | Pipe Clamp tops | |
| 3 | Z26-022S | 5 | M6 * 30 Bolt | |
| 4 | 34670128 | 1 | Safety Switch Bracket | |
| 5 | 34950179 | 1 | Safety switch | |
| 6 | 34119078 | 2 | M4 x 40 Bolts | |
| 7 | Z23-04 | 2 | M4 Locknuts | |
| 8 | Z26-019S | 2 | M6 * 16 Bolt | |
| 9 | Z12-02-06 | 2 | M6 Spring washer | |
| 10 | 1303533 | 1 | Safety Switch Actuator | |
| 11 | Z26-038S | 2 | Bolt M8 x 16 | |
| 13 | Z12-02-08 | 2 | M8 Spring Washer | |
| 14 | Z12-02-10 | 8 | M10 Spring Washer | |
| 15 | M22LK17 | 8 | M10 x 25mm Allen Head Bolt | |
| 16 | Z01-04-01 | 2 | 1/4" BSP Dowty Washer | |
| 17 | Z01-06-04-06 | 2 | 1/4" x 3/8" BSP M/M Adaptor | |
| 18 | Z01-04-03 | 4 | 1/2" BSP Dowty Washer | |
| 19 | 1308506 | 4 | 1/2" x 12L Adaptor | |
| 20 | 1308550 | 2 | 12L Hydraulic Pipe (Short) | |
| 21 | 1308150 | 1 | Tower valve complete | |
| 21* | 1308170 | 1 | Reversing valve cetop. | |
| 22 | Z01-04-02 | 3 | 3/8"BSP Dowty Washer | |
| 23 | 34061899L | 3 | 3/8" x 12L Adaptor | |
| 24 | Z01-06-06-06 | 1 | 3/8" x 3/8" M/M Adaptor | |
| 25 | 1308109 | 1 | Load holding valve | |
| 26 | 1308108 | 2 | Cross line relief valve | |
| 27 | 34050107 | 1 | 3/8" hose (see hose kits) | |
| 28 | 1503001 | 1 | Adjustment Valve mounting | |
| 29 | Z10-02-06 | 3 | M6 Flat Washer | |
| 30 | Z12-02-06 | 3 | M6 Spring Washer | |
| 31 | Z26-019S | 3 | Bolt M6 x 16 | |
| 32 | 1508000 | 1 | Adjustment block compl | |
| 33 | 1308553 | 1 | 12L Pipe (Tank) | |
| 34 | 1308552 | 1 | 12L Pipe (Return) | |
| 35 | 1308551 | 1 | 12 L pipe Feed | |
| 37 | 34105677 | 1 | Retainer Hinge Pin | |
| 38 | 34221200 | 2 | Split pin 4 x 40 | |
| 39 | 34251440 | 2 | Locking stay | |
| 40 | 34110000 | 2 | M8 x 25 Bolt | |
| 41 | Z10-02-08 | 4 | M8 Flat Washer | |
| 42 | 34230500 | 2 | M8 Locknut | |
| 43 | 34210000 | 1 | R-Clip | 4 mm |
| 44 | 1303000 | 1 | 1300 Tower 05 | |
| 45 | 1309203 | 1 | RDS Sensor 4 m | |
| 46 | 34105676 | 1 | Locking Pin-wrapping arm | |
| Motor & Gearbox Assembly | | | | |
| 1 | 1308600 | 1 | Gearbox & motor complete assy | |
| | 1308601 | 1 | Gearbox c/w brake | 6.09:1 |
| | 1308602 | 1 | Hydraulic brake kit | |
| 2 | 1308603 | 1 | Hydraulic motor | 100 cc |
| 3 | 1308604 | | Seal kit complete | |
| 4 | 1308605 | 1 | Adaptor plate | |
| 5 | Z13-6-08x35 | 4 | M8 x 35 socket headed bolt | |
| 6 | Z13-6-08x90 | 2 | M8 x 90 socket headed bolt | |



4.1 Wrap Arm: Exploded view

Tanco Auto wrap 1300
Spare parts list

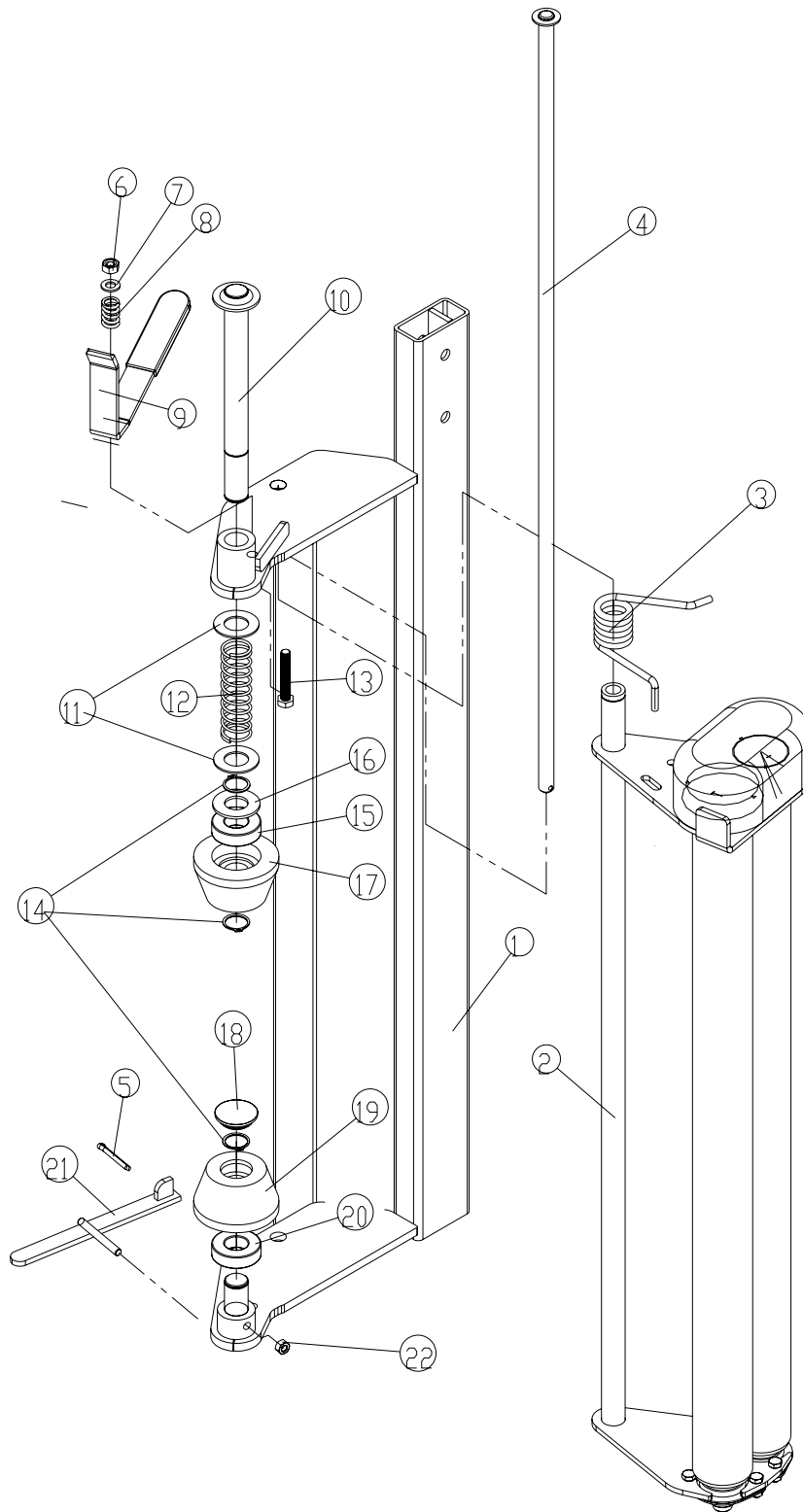


Tanco Auto wrap 1300
Spare parts list

4.2. Wrap Arm Parts List

| ITEM | PART NO. | QUANTITY | DESCRIPTION | Dimension |
|------|----------|----------|-------------------------|------------------|
| 1 | 1304000 | 1 | Wrap Arm | |
| 2 | 34611357 | 1 | Emergency stop arm | |
| 2a | 34480020 | 1 | Foam Padding | |
| 3 | 34911102 | 1 | Releasing Wire | |
| 4 | 34302122 | 3 | Washer | 10 mm |
| 5 | 34670152 | 1 | Spring Bracket | |
| 6 | 34230900 | 2 | Locknut | M10, DIN 985 |
| 7 | 34119043 | 1 | Eye Bolt | M8 x 25, DIN 933 |
| 8 | 34430300 | 1 | Spring | |
| 9 | 34105651 | 1 | Hinge Bolt | |
| 10 | 34911101 | 1 | Rocker Arm | 25 mm Nylon |
| 11 | 34220200 | 1 | Split Pin | 4 x 36 |
| 12 | Z26-047B | 1 | M 8 Bolt | M8 x 60, DIN 933 |
| 13 | 34302121 | 2 | Washer | 8 mm |
| 14 | 34230500 | 1 | Locknut | M8, DIN 984 |
| 15 | 34120311 | 1 | Hinge Screw | M6 x 45 |
| 16 | 34117500 | 2 | M12 x 70 Bolt | |
| 17 | 34231300 | 2 | M12 Locknut | |
| 18 | 34302135 | 4 | M12 Heavy Washer | 13 x 40 x 2 |
| 19 | 34230400 | 1 | M8 Nut | |
| 20 | 34660111 | 1 | S Hook | 35 mm x 4 |
| 21 | Z23-06 | 1 | M6 locknut | |
| 22 | 1304001 | 1 | Magnet mounting bracket | SS |
| 23 | 1309201 | 1 | RDS Magnet | |
| 24 | Z26-022S | 1 | M6 x 30 Bolt | |
| 25 | Z26-040S | 1 | M8 x 25 SET | |

5.1. Dispenser: Exploded View



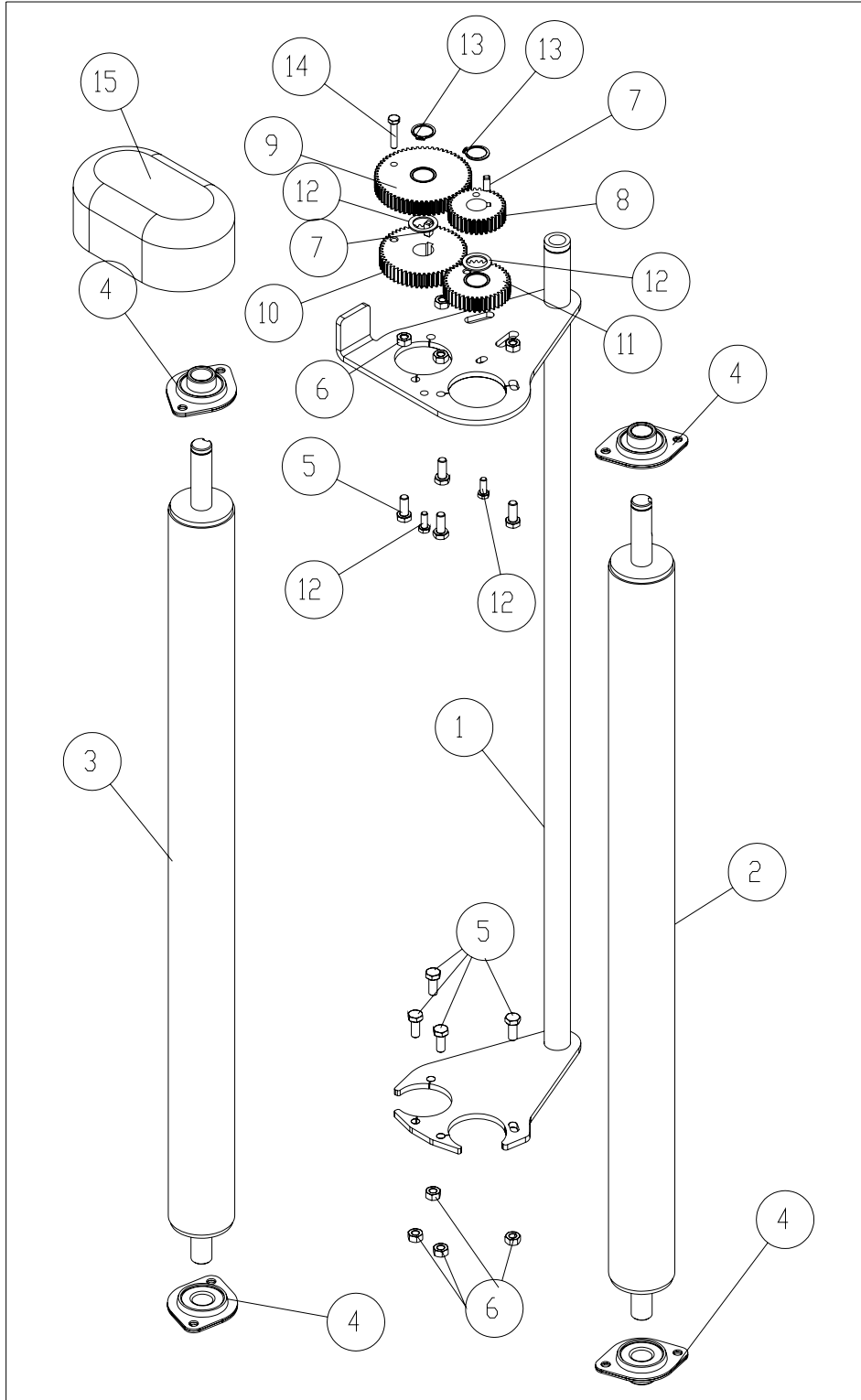


Tanco Auto wrap 1300
Spare parts list

5.2. Dispenser Parts list

| ITEM | PART NO. | QUANTITY | DESCRIPTION | Dimension |
|------|----------|----------|-----------------------------|-----------|
| | 1505000 | 1 | Complete Dispenser | |
| 1 | 1505001 | 1 | Dispenser Frame | |
| 2 | 1305100 | 1 | Roller sub-assembly | |
| 3 | 1305034 | 1 | Torsional spring | |
| 4 | 1305030 | 1 | Pivot pin | |
| 5 | 1305033 | 1 | Split pin | |
| 6 | Z23-10 | 1 | M.10 Locknut | |
| 7 | 34302122 | 2 | M 10 flat washer | |
| 8 | 1305027 | 1 | Top latch Spring | |
| 9 | 1305026 | 1 | Top latch | |
| 10 | 1305022 | 1 | Top shaft | |
| 11 | 1305020 | 2 | 25mm dia. flat washer | |
| 12 | 1305021 | 1 | Top shaft Spring | |
| 13 | 1305025 | 1 | M10 x 60 Hex bolt | |
| 14 | 1305017 | 3 | Cir-clip for shaft OD 25 mm | |
| 15 | 34302122 | 2 | M 10 flat washer | |
| 16 | 1305020 | 2 | 25mm dia. flat washer | |
| 17 | 1305019 | 1 | Upper cone | |
| 18 | 1305018 | 1 | Plastic cap 1 1/4" | |
| 19 | 1305016 | 1 | Bottom cone | |
| 20 | 1305015 | 2 | Bearing | |
| 21 | 1305010 | 1 | Dispenser latch bottom | |
| 22 | Z23-08 | 1 | M.8 Locknut | |

5.3. Dispenser Roller Insert: Exploded





Tanco Auto wrap 1300
Spare parts list

5.4. Dispenser Roller insert: Parts list

| ITEM | PART NO. | QUANTITY | DESCRIPTION | Dimension |
|------|----------|----------|----------------------------------|---------------|
| | | | | |
| | 1305100 | 1 | Dispenser Roller insert complete | |
| 1 | 1305110 | 1 | Insert Frame | |
| 2 | 1305120 | 1 | Inner Roller | |
| 3 | 1305121 | 1 | Outer Roller | |
| 4 | 1305122 | 4 | Bearing | RHP SLF20A |
| 5 | Z26-039S | 8 | M8 * 20 Bolt | |
| 6 | Z23-08 | 8 | M8 Locknut | |
| 7 | 1305123 | 2 | 6 mm square key steel | 15 mm long |
| 8 | 1305101 | 1 | 60 t gear | 16 mm |
| 9 | 1305102 | 1 | 35 t gear | 16 mm |
| 10* | 1305105 | 1 | 54 t gear | 16 mm |
| 11* | 1305106 | 1 | 41 t gear | 16 mm |
| 10 | 1305103 | | 58 t Gear | 16 mm |
| 11 | 1305104 | | 37 t Gear | 16 mm |
| 13 | 1305124 | 2 | 20 mm external cir-clip | |
| 11 | 1305125 | 1 | Gearbox cover | |
| 12 | Z26-018S | 2 | M6 * 16 mm bolt | |

* Indicates optional 33 % Stretch gears

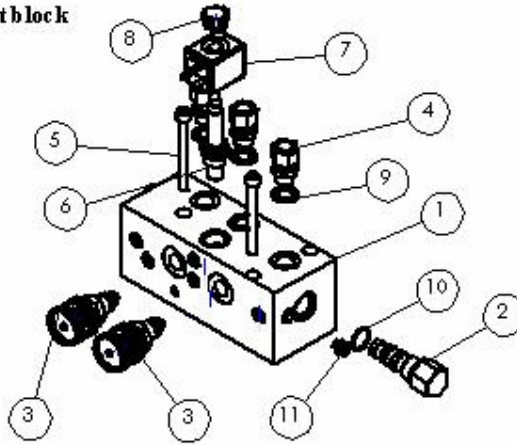


Tanco Auto wrap 1300 Spare parts list

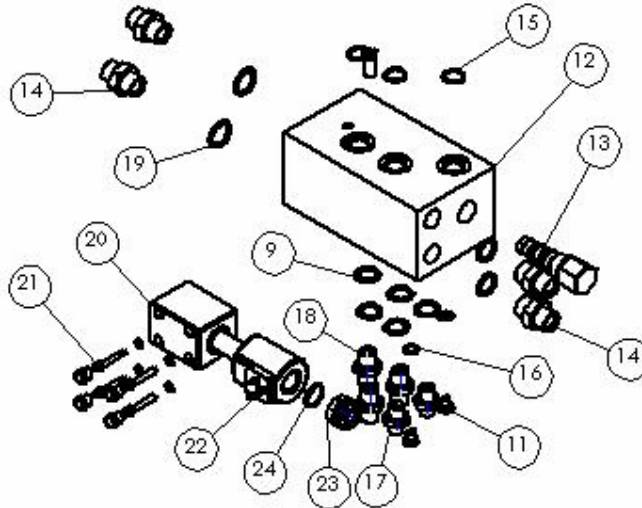


Tanco Autowrap 1300 Spare Parts List

6.1 Adjustment block



1300 S Entry Block





Tanco Auto wrap 1300
Spare parts list

6.2 Adjustment Block and 1300 S Inlet Block Parts list

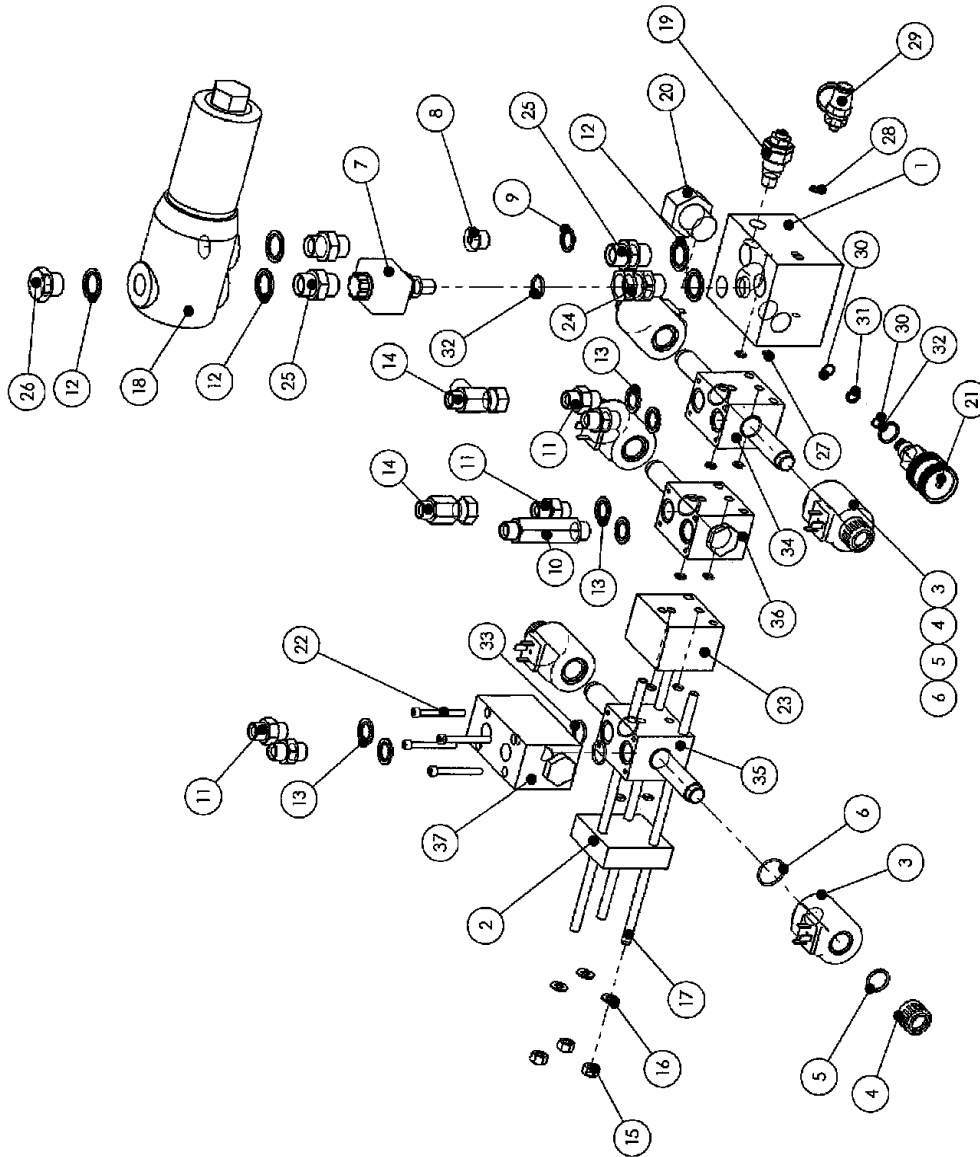
| ITEM NO. | PART NUMBER | QTY. | DESCRIPTION | DIMENSION |
|---------------|--------------------|------|---------------------------------|-----------|
| | 1508000 | | Adjusting block complete | |
| | 1308260 | | 1300 S Adjusting block complete | |
| 2 | 1308207 | 1 | Adjusting block empty | |
| 2 | 1308251 | 2 | Pressure compensator valve | |
| 3 | 1308252 | 2 | Flow control valve | |
| 4 | 34061899 | 3 | Fitting 3/8" to 12 L | |
| 5 | 34119028 | 3 | M8 x 80 socket headed bolt | |
| 6 | 1508002 | 1 | 2-Speed Valve | |
| 6* | 1308261 | 1 | N/Closed valve | |
| 7 | 1308202 | 1 | 12 V Coil for 2-Speed/Master | |
| 8 | 1308205 | 2 | Plastic nut for 2-Speed/Master | |
| 9 | Z01-04-02 | 8 | 3/8"BSP Dowty Washer | |
| 10 | 1308219 | 1 | Seal kit adjustment block | |
| 11 | 1308115 | 6 | 1/8" Male Plug | |
| 1300 S | Entry Block | | | |
| 12* | 1308750 | | 1300 S Entry Block complete | |
| | 1308751 | 1 | 1300 S Entry Block empty | |
| 13* | 1308752 | 1 | P/O Diverter valve | |
| 14* | Z01-06-08-08 | 4 | 1/2" to 1/2" M/M Fitting | |
| 15* | | 1 | 1300 S entry Block seal kit | |
| 16* | 1308224 | 2 | 1/8" copper washer | |
| 17* | Z01-06-04-06 | 2 | 3/8 to 1/4" M/M fitting | |
| 18* | Z01-06-06-06 | 3 | 3/8 to 3/8" M/M fitting | |
| 19* | Z01-04-03 | 4 | 1/2" Copper Washer | |
| 20* | 1308753 | 1 | 1300 S Cetop Diverter valve | |
| 21* | 1308221 | 4 | M5 x 30 socket head bolt | |
| 22* | 34087321 | 1 | 12V DC Coil | |
| 23* | 1308220 | 1 | Plastic Nut For 12V DC Coil | |
| 24* | 13082232 | 1 | Solenoid Seal Kit | |

* indicates 1300 S model only



6.3 Inlet and Control block: Exploded

1300 EH Inlet & Control Valve





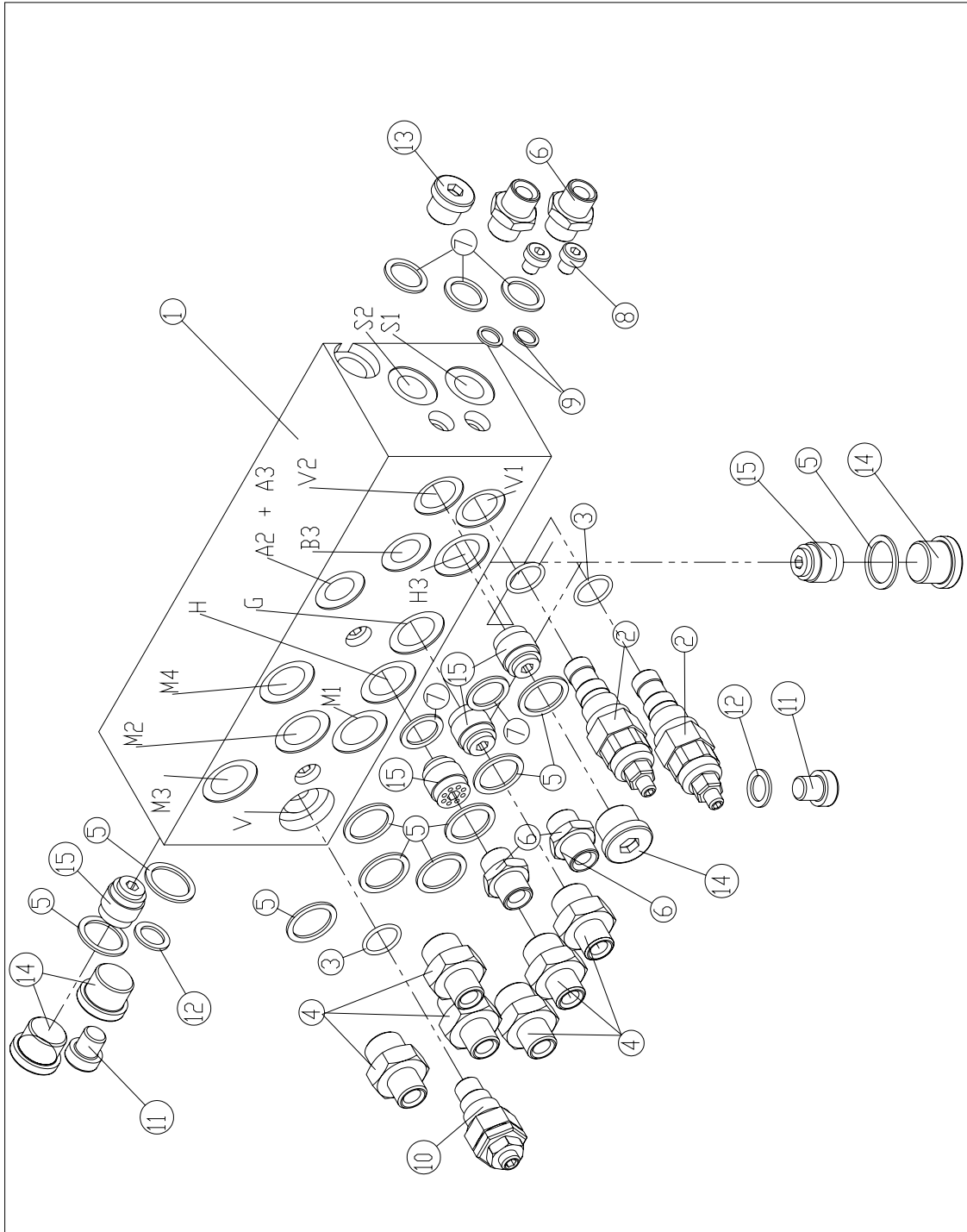
Tanco Auto wrap 1300 Spare parts list

6.4 Inlet and Control Block Parts list

| ITEM NO. | PART NUMBER | QTY. | DESCRIPTION | DIMENSION |
|----------|--------------|------|---|-------------------------|
| | 1308700 | | Entry & Control Block Complete Assembly | |
| 1 | 1308701 | 1 | Control Block | |
| 2 | 1308706 | 1 | End Plate | |
| 3 | 34087321 | 5 | 12V DC Coil | |
| 4 | 1308220 | 5 | Plastic Nut For 12V DC Coil | |
| 5 | 13082232 | 5 | Solenoid Seal Kit | |
| 6 | 13082232 | 5 | Solenoid Seal Kit | |
| 7 | 1308708 | 1 | Master Valve Complete | |
| 8 | 1308308 | 2 | 3/8" Male Plug | |
| 9 | 1308226 | 2 | 3/8" Copper Washer | |
| 10 | Z01-06-06L | 1 | 3/8" Long Body Adaptor | |
| 11 | Z01-06-06-06 | 5 | 3/8" to 3/8" BSP Male/Male Fitting | |
| 12 | Z01-04-03 | 5 | 1/2" BSP Dowty Washer | |
| 13 | Z01-04-02 | 6 | 3/8" BSP Dowty Washer | |
| 14 | Z01-12-0022 | 2 | 3/8" BSP FMM Tee | |
| 15 | 34230500 | 3 | M8 Locknut | |
| 16 | 34302121 | 3 | M8 Washer | |
| 17 | 1308713 | 3 | Tie Rod | |
| 18 | Z01-24-08 | 1 | Filter | |
| 19 | 1308206 | 1 | Main Relief Valve | |
| 20 | 1308712 | 1 | Compensator Valve | |
| 21 | 1308252 | 1 | Flow Control Valve | |
| 22 | 1308715 | 4 | M5 X 60mm Socket Head Bolt | |
| 23 | 1308707 | 1 | check Valve Block | |
| 24 | Z01-05-08-08 | 1 | 1/2" X 1/2" Male/Female Adaptor | |
| 25 | Z01-06-08-08 | 3 | 1/2" X 1/2" BSP Male/Male Adaptor | |
| 26 | Z01-06-MB08 | 1 | 1/2" Male Blank | |
| 27 | 1308714 | 10 | Entry & Control Block Seal Kit | 611-4498/108.90 SCH |
| 28 | 1308714 | 1 | Entry & Control Block Seal Kit | 008-4470/2018.70sh |
| 29 | 1308710 | 1 | 1/4" Test Point | |
| 30 | 1308714 | 2 | Entry & Control Block Seal Kit | 10 x 12.7x 0.8 |
| 31 | 1308714 | 1 | Entry & Control Block Seal Kit | 012-4470/2037.70 sch |
| 32 | 1308714 | 2 | Entry & Control Block Seal Kit | I.D. 16.3 x 2.21 90 sch |
| 33 | 1308714 | 2 | Entry & Control Block Seal Kit | 020-4498/2887.90 sch |
| 34 | 1308704 | 1 | 2 Dir Spool Valve (c/w solenoid) | |
| 35 | 1308702 | 1 | 2 Dir. Spool Valve-C&S (c/w Solenoid) | |
| 36 | 1308703 | 1 | 1 Dir. Spool Valve (cw solenoid) | |
| 37 | 1308705 | 1 | Pilot Control Non-Return Valve | |

Note: Tanco recommend that if a fitting with a copper washer is opened, the copper washer should be replaced to ensure leak free operation. Dowty washers of the same size can be used.

6.5. Assembly Block Exploded





Tanco Auto wrap 1300
Spare parts list

6.6. Assembly Block Parts list.

| ITEM | PART NO. | QUANTITY | DESCRIPTION | Dimension |
|------|--------------|----------|----------------------------|-----------|
| | 1308300 | | Assembly Block Complete | |
| 1 | 1308301 | 1 | Assembly block Empty | |
| 2 | 1308304 | 2 | Over Centre Valve | |
| 4 | Z01-06-06-08 | 6 | 1/2" to 3/8" M/M fitting | |
| 5 | 1308227 | 9 | 1/2" Copper Washer | |
| 6 | Z01-06-06-06 | 4 | 3/8 to 3/8" M/M fitting | |
| 7 | 1308226 | 5 | 3/8" Copper Washer | |
| 8 | 1308115 | 2 | 1/8" Male Plug | |
| 9 | 1308224 | 2 | 1/8" copper washer | |
| 10 | 1308303 | 1 | Throttle Valve | |
| 11 | 1308114 | 2 | 1/4" Male Plug | |
| 12 | 1308225 | 2 | 1/4" copper washer | |
| 13 | 1308308 | 1 | 3/8" Male Plug | |
| 14 | 1308229 | 2 | 1/2" Male Plug | |
| 15 | 1308302 | 6 | 1/2" x 1.5 bar check valve | |
| | 1308307 | | Seal Kit Assembly Block | |
| 3 | | 3 | O-Ring | |

Note: Tanco recommend that if a fitting with a copper washer is opened, the copper washer should be replaced to ensure leak free operation. Dowty washers of the same size can be used.



Tanco Auto wrap 1300
Spare parts list

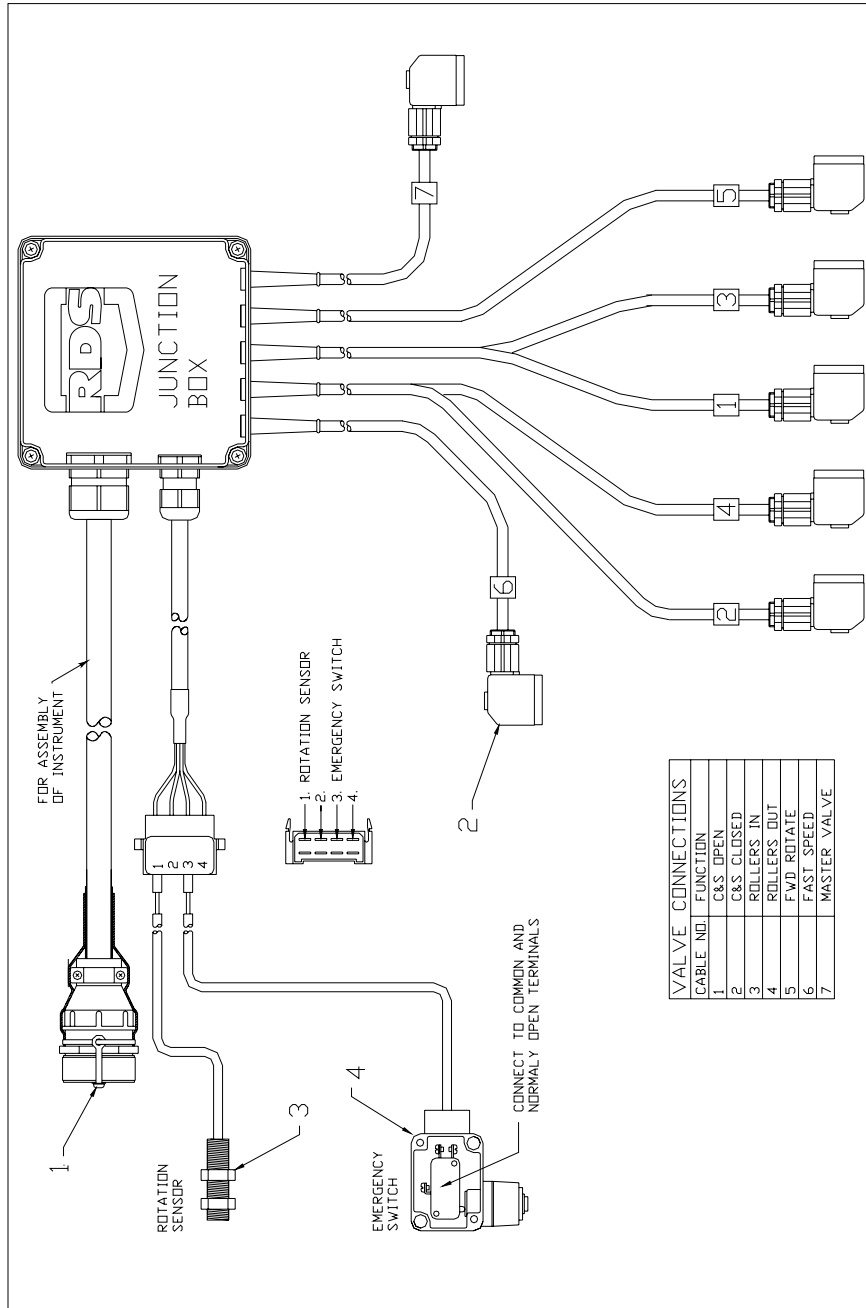


Tanco Auto wrap 1300
Spare parts list



Tanco Auto wrap 1300
Spare parts list

7.1 Junction Box.



| ITEM | PART NO. | QUANTITY | DESCRIPTION |
|------|----------|----------|--|
| | 1309004 | 1 | 1300 Junction Box complete |
| 1 | 1309003 | 1 | Com Cable (3m) c/w 24 pin plug |
| 2 | 1309005 | 7 | Hirshmann c/w screw, gland and 0.7 m cable |
| 3 | 1309203 | 1 | RDS Sensor (4 m cable) |
| 4 | 34950179 | 1 | Emergency stop switch |



Tanco Auto wrap 1300
Spare parts list

7.2. EH Controller



| ITEM | PART NO. | QUANTITY | DESCRIPTION |
|------|----------|----------|---------------------------------------|
| 1 | 1309006 | 1 | RA Control Unit |
| 2 | 1309001 | | RA Faceplate RDS |
| 3 | 1309009 | 1 | 2 pin connector Female + 2 spade pins |
| 4 | 1309011 | 1 | Controller mounting bracket EH |
| 5 | 1309012 | 1 | Controller suction cup |
| | 1309100 | | 1300 Extension Cable (3m) |
| | 1309007 | | EH Battery Cable (3m) |
| | 1309010 | | 2 pin connector male + 2 female pins |



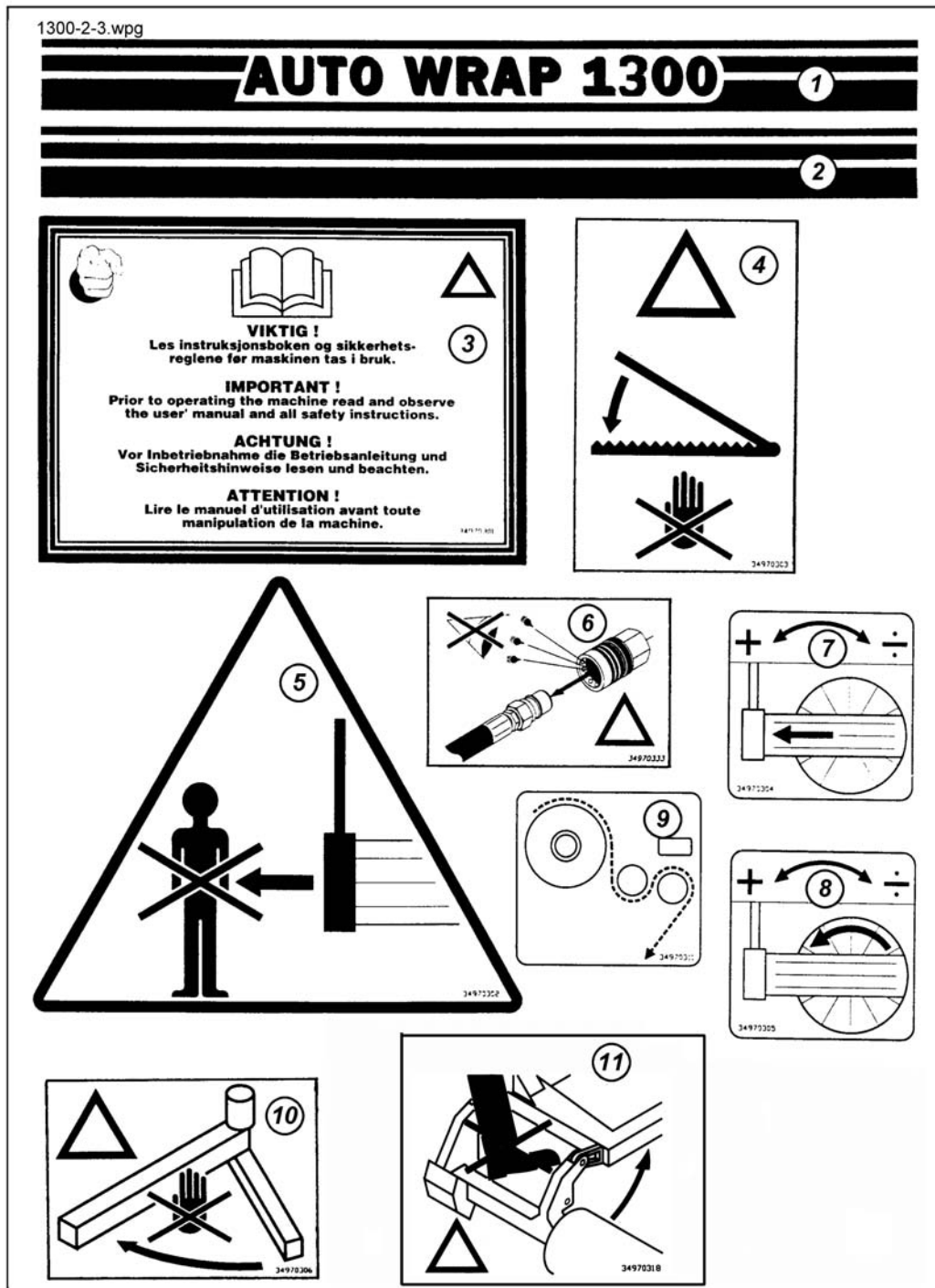
Tanco Auto wrap 1300
Spare parts list

7.3. 1300 S controller.



| Item | Part No. | Qty. | Description |
|------|----------|------|---------------------------------------|
| 1 | 1309400 | 1 | RDS BWC complete with brackets |
| 2 | 1009007 | 1 | BWC mounting brackets |
| 4 | 1309009 | 1 | 2 pin connector Female + 2 spade pins |
| 5 | 1309302 | 1 | 1300 M Battery cable |

8.1. Safety Decals



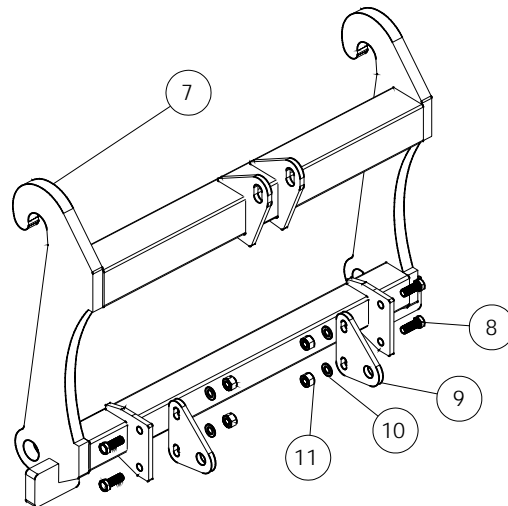
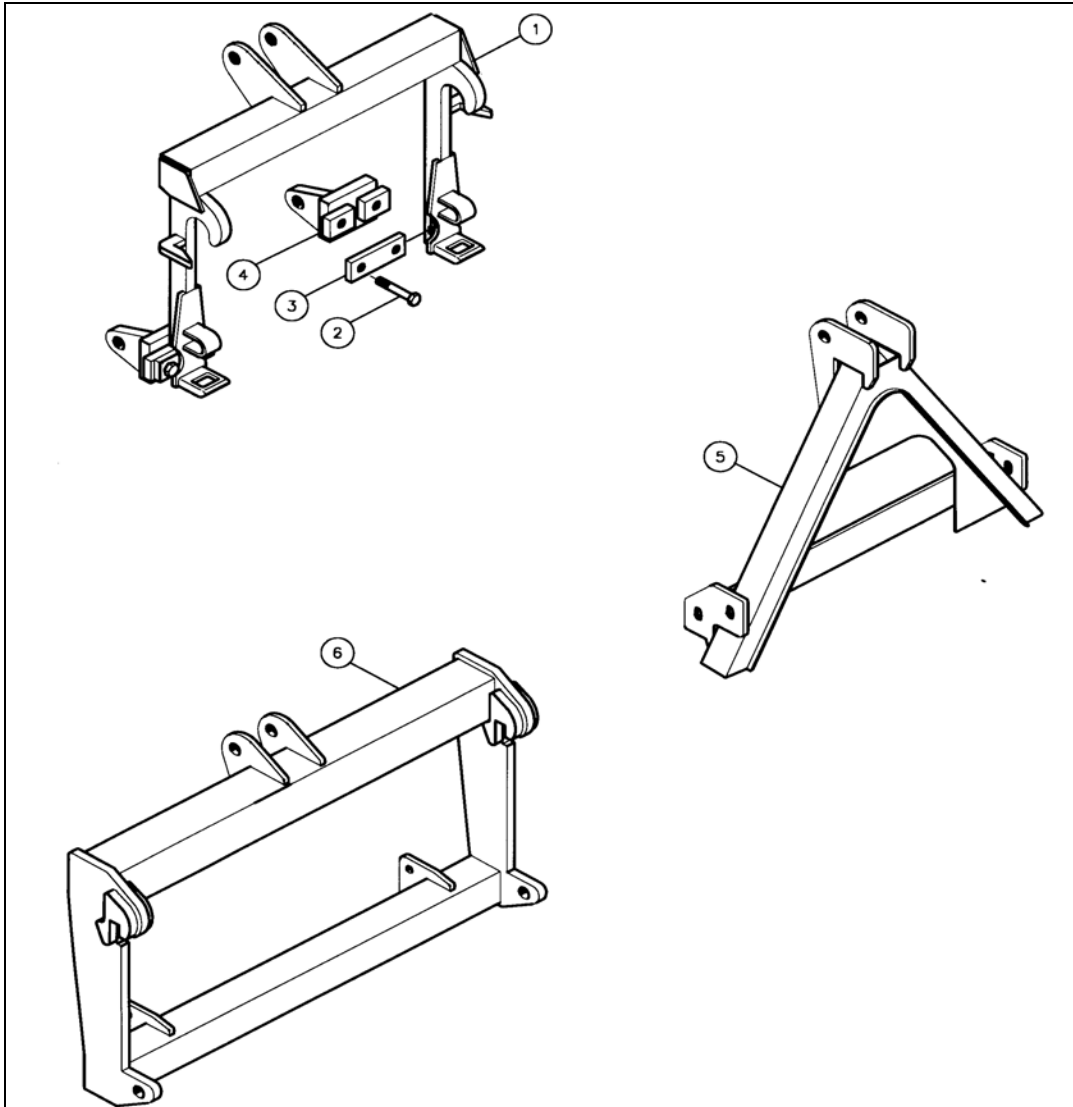


Tanco Auto wrap 1300
Spare parts list

8.2. Safety Decals part list

| ITEM | PART NO. | QUANTITY | DESCRIPTION |
|------|----------|----------|--------------------------------|
| 1 | 34970356 | 2 | Decal, stripes with text |
| 2 | | | |
| 3 | 34970301 | 1 | Important! Prior to operate... |
| 4 | 34970303 | 1 | Danger, cutter |
| 5 | 34970302 | 1 | Danger, prestretcher |
| 6 | 34970333 | 1 | Danger, hydraulic oil |
| 7 | 34970304 | 1 | Adjustment, wrap.arm speed |
| 8 | 34970305 | 1 | Adjustment, roller speed |
| 9 | 34970311 | 1 | Prestrecher, mounting film |
| 10 | 34970306 | 2 | Danger, wrapping arm/tower |
| 11 | 34970317 | 2 | Danger, roller arms |

9.1. Attachment brackets

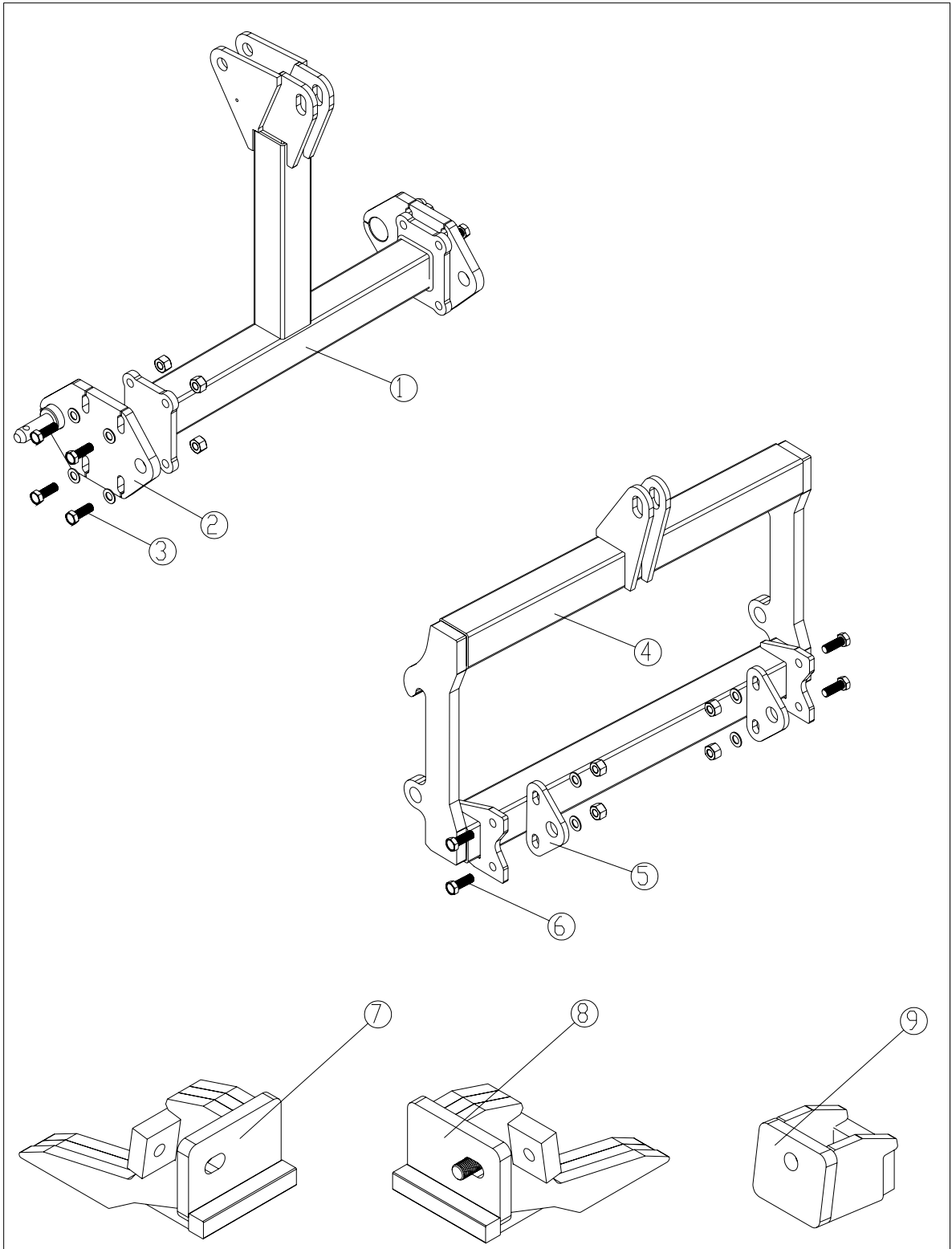




9.2. Attachment brackets parts list

| ITEM | PART NO. | QTY | DESCRIPTION |
|----------|-----------------|----------|------------------------------------|
| | 35810031 | | Trima bracket Kit |
| 1 | | 1 | Trima bracket Frame |
| 2 | 34115600 | 1 | Bolt |
| 3 | 34251490 | 1 | Locking bar |
| 4 | 34251489 | 3 | Locking bar holder |
| | | | |
| 5 | 35810030 | 1 | Triangle bracket Kit |
| | 34611552 | 1 | Triangle Frame |
| | 34611553 | 2 | Bolt on bracket |
| | 34310800 | 4 | M16 Spring washer |
| | 34110051 | 4 | M16 x 45 Bolt |
| | 34232100 | 4 | M16 Locknut |
| | | | |
| 6 | 35810034 | 1 | Volvo bracket Kit |
| | 34611544 | 1 | Volvo Bracket Frame |
| | 34611543 | 2 | Bolt-on bracket |
| | 34119176 | 4 | M16 x 60 Bolt |
| | 34302105 | 4 | M16 Flat washer |
| | 34232100 | 4 | M16 Locknut |
| | | | |
| | 35810035 | 1 | Industrial Euro Bracket Kit |
| 7 | 34611545 | 1 | Industrial Euro Bracket |
| 9 | 34611543 | 2 | Bolt-on bracket |
| 8 | 34119176 | 4 | M16 x 60 Bolt |
| 10 | 34302105 | 4 | M16 Flat washer |
| 11 | 34232100 | 4 | M16 Locknut |

9.3. Attachment brackets





9.4. Attachment Brackets part list

| ITEM | PART NO. | QTY | DESCRIPTION |
|------|-----------------|-----|---|
| | 35810029 | | 3-Point linkage bracket Kit (kat II) |
| 1 | 34611547 | 1 | 3-Point linkage Frame |
| 2 | 34611548 | 2 | Bolt-on plate |
| 3 | | 8 | Bolt assembly |
| | 34119176 | 1 | Bolt M16 x 60 |
| | 34232100 | 1 | Lock Nut M16 |
| | 34301000 | 1 | Flat Washer M16 |
| | 35810031 | | Alo bracket kit (Type 3) |
| 4 | 34611550 | 1 | Alo bracket |
| 5 | 34611551 | 2 | Bolt-on plate |
| 6 | | 4 | Bolt assembly |
| | 34110042 | 1 | Bolt M16 x 45 |
| | 34232100 | 1 | Lock Nut M16 |
| | 34301000 | 1 | Flat Washer M16 |
| | 35100335 | | Brackets for dia 150cm round bales |
| 7 | 34611527 | 1 | Roller arm support LHS |
| 8 | 34622526 | 1 | Roller arm support RHS |
| 9 | 34611528 | 2 | Roller arm stop |
| | 34111500 | 4 | Bolt M16 x 50 |
| | 34232100 | 4 | Lock Nut M16 |
| | 34301000 | 4 | Flat Washer M16 |